

NOVALIGHT OLC WALL

NL-OLCW-LX-XX-010

STREET LIGHT CONTROLLER ON WALL

The NovaLight OLC Wall is a street light controller. It can be installed easily on a wall thanks to its stainless-steel support and connects to a centralized software over a robust 869 MHz wireless mesh network.



AT A GLANCE

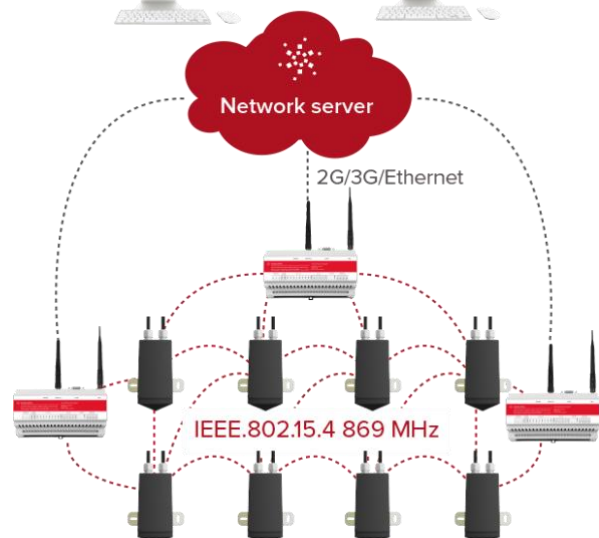
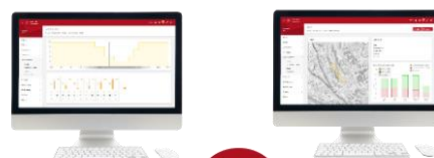
NovaLight OLC Wall controllers give full control over a street lights installation in terms of remote control and monitoring. Substantial energy and operational savings can therefore be achieved.

Installed on a wall, the controller features lighting switching on/off, dimming profiles application, fault detection and energy and power consumption measurement.

The solution relies on a powerful mesh network. This network follows new state of the art Industrial Internet of Things standards and works in 869 MHz frequencies offering excellent performance in terms of range and power consumption. Redundancy in the network is high because each device can relay information to its neighbors (mesh network). Furthermore, all transmissions are encrypted with AES-128 algorithm in order to ensure security.

- Energy and power consumption measurement with +/- 2% precision (voltage, current, power factor, frequency, power)
- Fault detection (connection, ballast, light, measurement thresholds, etc.)
- 230VAC power supply
- Industrial IoT Wireless Mesh Network IEEE 802.15.4 - 869 MHz
- AES-128 encryption within the mesh network
- Over-the-air reprogramming

Central management software



KEY FACTS

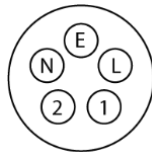
- Streetlight remote control and monitoring thanks to DALI or 1-10V interface (chosen when ordered)
- Dimming profiles
- Astronomical clock

TECHNICAL CHARACTERISTICS

PHYSICAL PARAMETERS		VALUE	UNIT
Width		120	mm
Height		143	mm
Depth		71.3	mm

CABLES	POLES	CONNECTOR
Cable 1	3 poles (neutral, phase, earth) for controller powering	Wieland MALE CONNECTOR RST1615 S S1 ZT6S A TB
Cable 2	5 poles (neutral, phase, earth, DA+/DIM+, DA-/DIM-) for streetlight powering and control	Wieland FEMALE CONNECTOR RST1615 S B1 ZT6S A TB

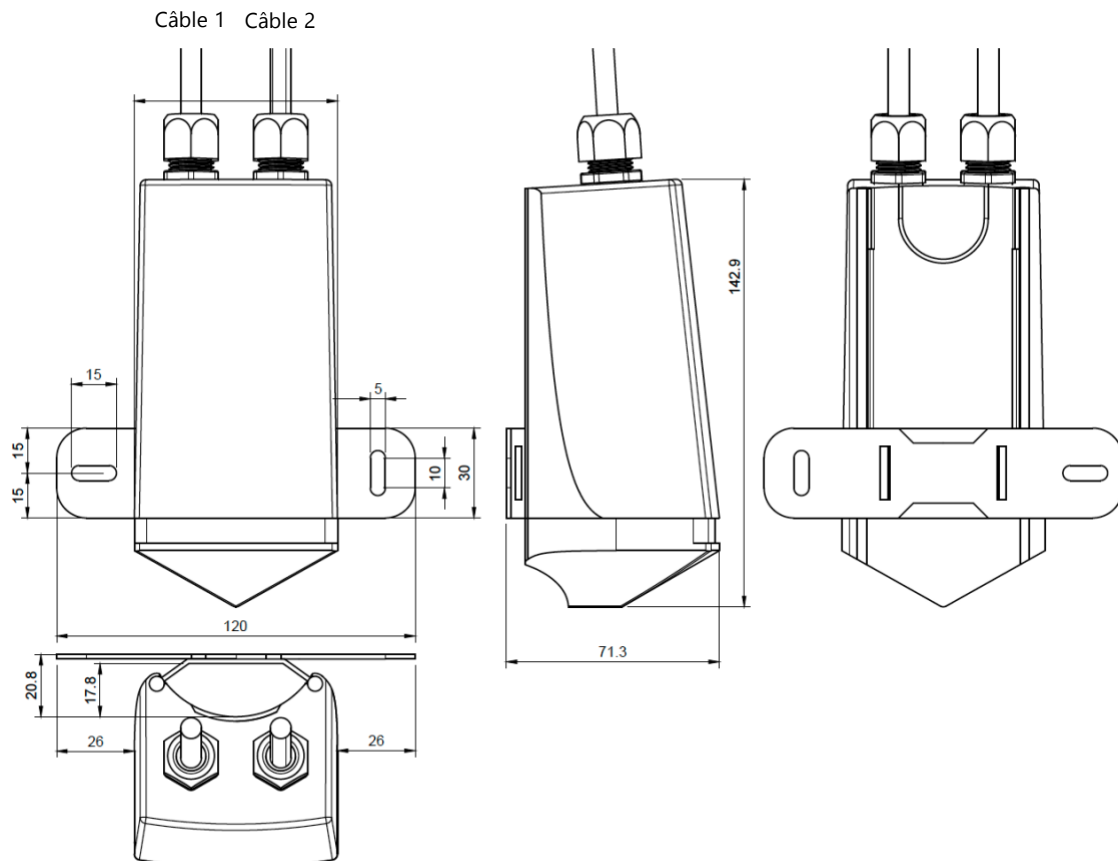
Connector


DALI variant

N = Neutral
 E = Earth
 L = Phase
 1 = DA+ (DALI+)
 2 = DA- (DALI-)

1-10V variant

N = Neutral
 E = Earth
 L = Phase
 1 = DIM+ (1-10V)
 2 = DIM- (1-10V)



ELECTRICAL CHARACTERISTICS	MIN	TYP	MAX	UNIT
Input Voltage	85	230	264	VAC
Frequency	47	50	70	Hz
Load maximum power	-	-	600	W

ENVIRONMENTAL PARAMETERS	MIN	TYP	MAX	UNIT
Ambient temperature	-30	-	+70	°C
Relative humidity	10	-	90	%RH
IP Protection	-	IP66	-	-

DALI PSU (ONLY FOR THE DALI VARIANT OF THE PRODUCT)	VALUE	UNIT
Max output current	50	mA

1-10V (ONLY FOR THE 1-10V VARIANT OF THE PRODUCT)	VALUE	UNIT
Max source/sink current	2	mA

NOVACOM WIRELESS MESH NETWORK	MIN	TYP	MAX	UNIT
Frequency	-	869.525	-	MHz
Bitrate	-	38.4	-	kbps
Power	-	-	100	mW
Sensitivity	-	-104	-	dBm

CONFORMITY

Mark	CE (RED)
EMC	EN 301 489-3
SRD	EN 300 220-1/-2
Safety	EN 60950-1

ORDER INFORMATION

TYPE	COLOR	
	Light gray (RAL7040)	Dark gray (RAL7015)
NovaLight OLC Wall DALI	NL-OLCW-L-LG-010	NL-OLCW-L-DG-010
NovaLight OLC Wall 1-10V	NL-OLCW-LX-LG-010	NL-OLCW-LX-DG-010

REVISION HISTORY

REVISION	DATE	COMMENTS
R01	July 17, 2019	Initial release
R02	July 23, 2019	"Legacy" removed from product name

CONDITIONS

All rights reserved. Documents and photographs are not contractual. Novaccess reserves the right to make changes in specifications at any time without notice or obligation and will not be liable for any consequences resulting from the use of this publication.