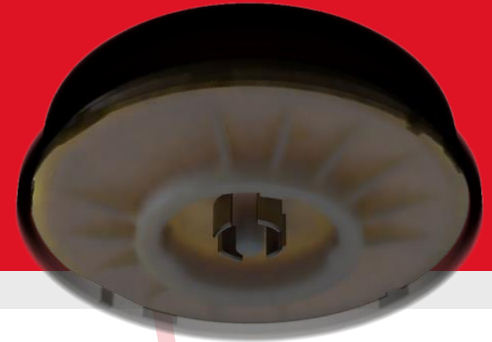


NOVALIGHT OLC ZHAGA NL-OLCZ-XX-010

OUTDOOR LIGHT CONTROLLER WITH ZHAGA FORMAT

The NovaLight OLC Zhaga is a street light controller. It can be installed easily on a street light head equipped with a Zhaga connector and connects to a centralized software over a robust 869 MHz wireless mesh network.



AT A GLANCE

NovaLight OLC Zhaga controllers give full control over a street lights installation in terms of remote control and monitoring. Substantial energy and operational savings can therefore be achieved.

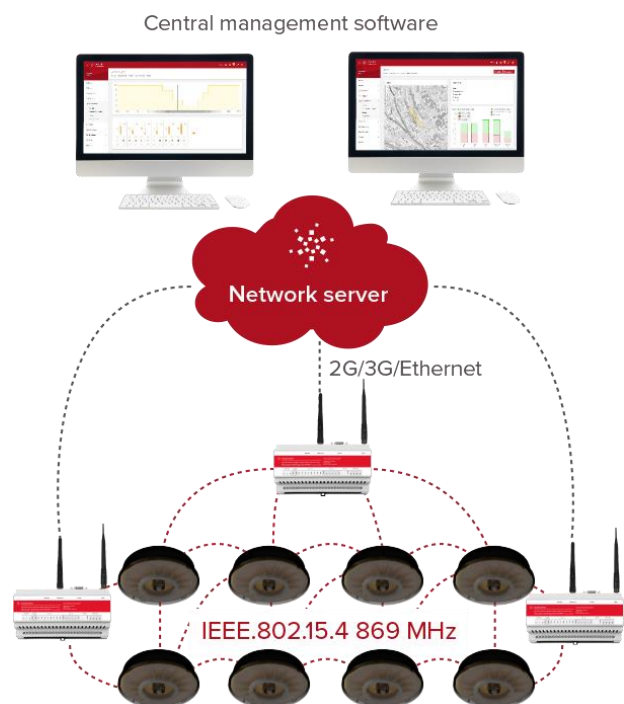
The OLC Zhaga can be installed very easily on a street light head thanks to the standardized Zhaga connector format. Thanks to Philips SR standard and based on the new corresponding generation of ballasts coming with new capabilities, the controller features lighting switching on/off, dimming profiles application, fault detection and energy and power consumption measurement.

The solution relies on a powerful mesh network. This network follows new state of the art Industrial Internet of Things standards and works in 869 MHz frequencies offering excellent performance in terms of range and power consumption. Redundancy in the network is high because each device can relay information to its neighbors (mesh network). Furthermore, all transmissions are encrypted with AES-128 algorithm in order to ensure security.

KEY FACTS

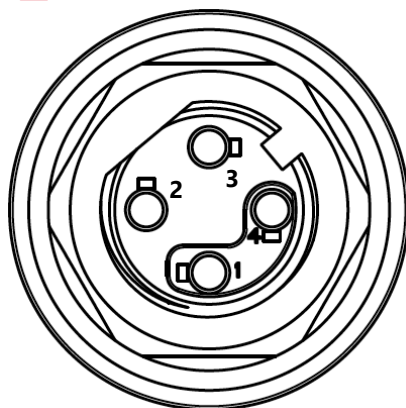
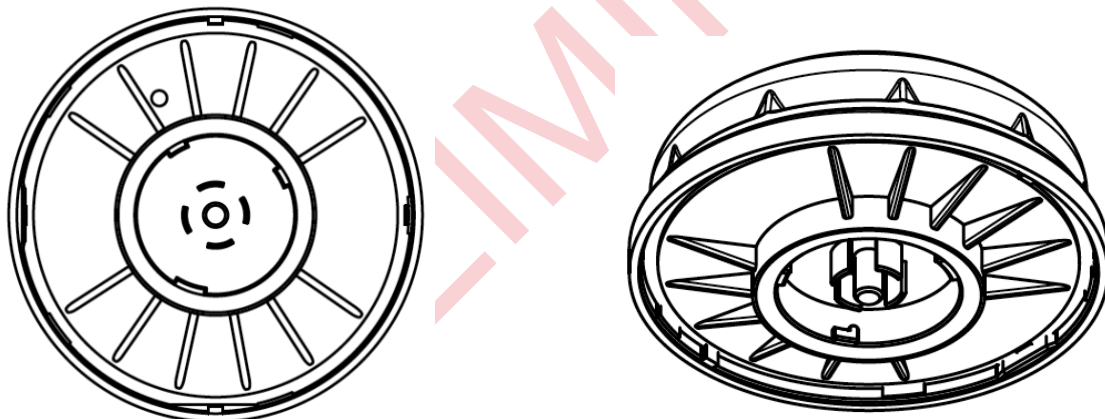
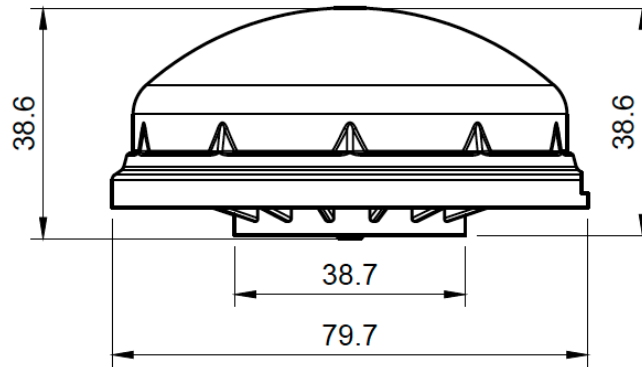
- Zhaga connection
- Streetlight remote control and monitoring thanks to DALI SR interface

- Dimming profiles
- Astronomical clock
- Energy and power consumption measurement with +/- 2% precision (voltage, current, power factor, frequency, power)
- Fault detection (connection, ballast, light, measurement thresholds, etc.)
- 24VDC power supply
- Industrial IoT Wireless Mesh Network IEEE 802.15.4 - 869 MHz
- AES-128 encryption within the mesh network
- Over-the-air reprogramming



TECHNICAL CHARACTERISTICS

PHYSICAL PARAMETERS	MIN	TYP	MAX	UNIT
Width	-	79.7	-	mm
Height	-	38.6	-	mm



- (1) +24 V POWER SUPPLY
- (2) DA- (DALI-) / SGND
- (3) DA+ (DALI+)
- (4) GENERAL DIGITAL I/O (> 7V)

Connector cabling

POWER SUPPLY	MIN	TYP	MAX	UNIT
Input voltage	21.6	24.0	30.0	VDC

ENVIRONMENTAL PARAMETERS	MIN	TYP	MAX	UNIT
Ambient temperature	-30	-	+70	°C
Relative humidity	10	-	90	%RH
IP Protection	-	IP66	-	-
IK Protection	-	IK09	-	-

NOVACOM WIRELESS MESH NETWORK	MIN	TYP	MAX	UNIT
Frequency	-	869.525	-	MHz
Bitrate	-	38.4	-	kbps
Power	-	-	100	mW
Sensitivity	-	-104	-	dBm

CONFORMITY

Mark	CE (RED)
EMC	EN 301 489-3
SRD	EN 300 220-1/-2
Safety	EN 60950-1

ORDER INFORMATION

PRODUCT	REFERENCE
NovaLight OLC Zhaga	NL-OLCZ-SG-010

REVISION HISTORY

REVISION	DATE	COMMENTS
R01	July 15, 2019	Initial release
R02	July 23, 2019	Document format adaptations

PRELIMINARY

CONDITIONS

All rights reserved. Documents and photographs are not contractual. Novaccess reserves the right to make changes in specifications at any time without notice or obligation and will not be liable for any consequences resulting from the use of this publication.